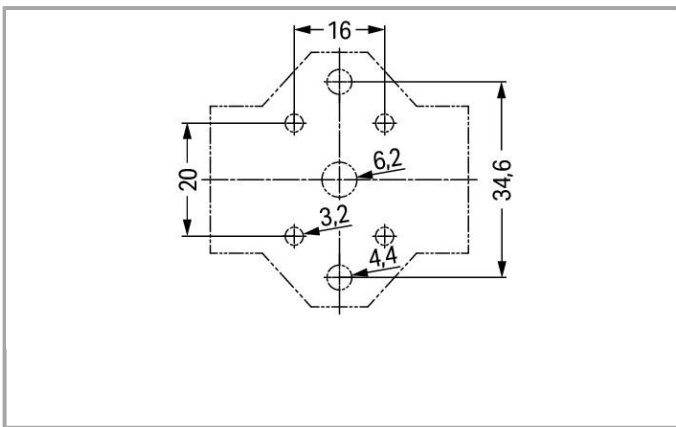
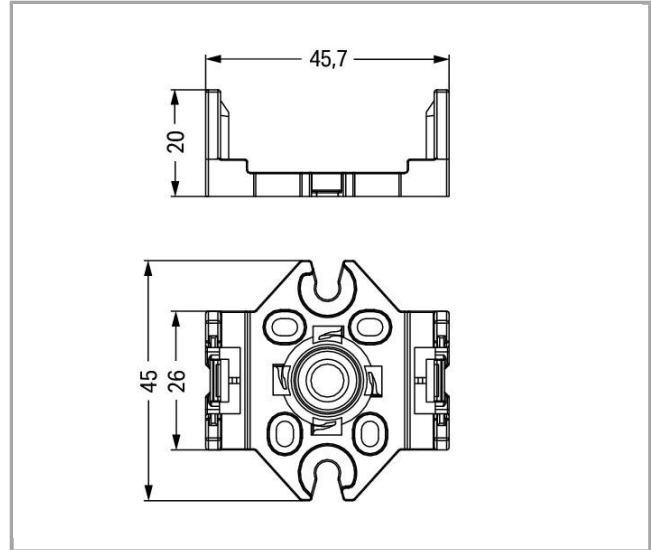


770-624



**Data**

**Mechanical data**

Mounting type

Screw mounting

**Material Data**

Color

black

Insulating material

Polyamide 66 (PA 66)

Flammability class per UL94

V0

Fire load

0.184 MJ

Weight	5.76 g
--------	--------

### Environmental Requirements

Processing temperature	-5 +40 °C
Continuous operating temperature	-35 +85 °C
Note on Continuous Service Temperature	Insulating parts for temperatures ≤ 105 °C

### Commercial data

Product Group	20 (WINSTA)
Country of origin	DE
GTIN	4044918451420
Customs Tariff No.	39269097900

### Compatible products

#### assembling



**Item no.: 770-601**  
Fixing pin; 6 mm Ø, for 1.0 ... 2.5 mm mounting plates; Plastic; black

770-601



**Item no.: 890-601**  
Fixing pin; 6 mm Ø, for 1.0 ... 2.5 mm mounting plates; Plastic; black

890-601

### Downloads

#### Documentation

##### Bid Text

770-624	doc 23.0 kB	Download
---------	----------------	----------

### CAD/CAE - Smart Data

#### CAD data

3D Download 770-624	URL	Download
---------------------	-----	----------

#### WSCAD

WSCAD Universe		Download
----------------	--	----------



Subject to changes.

---